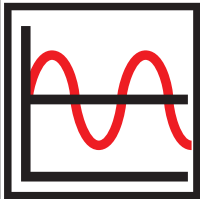
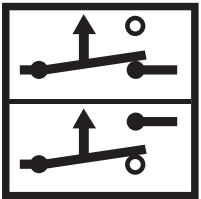

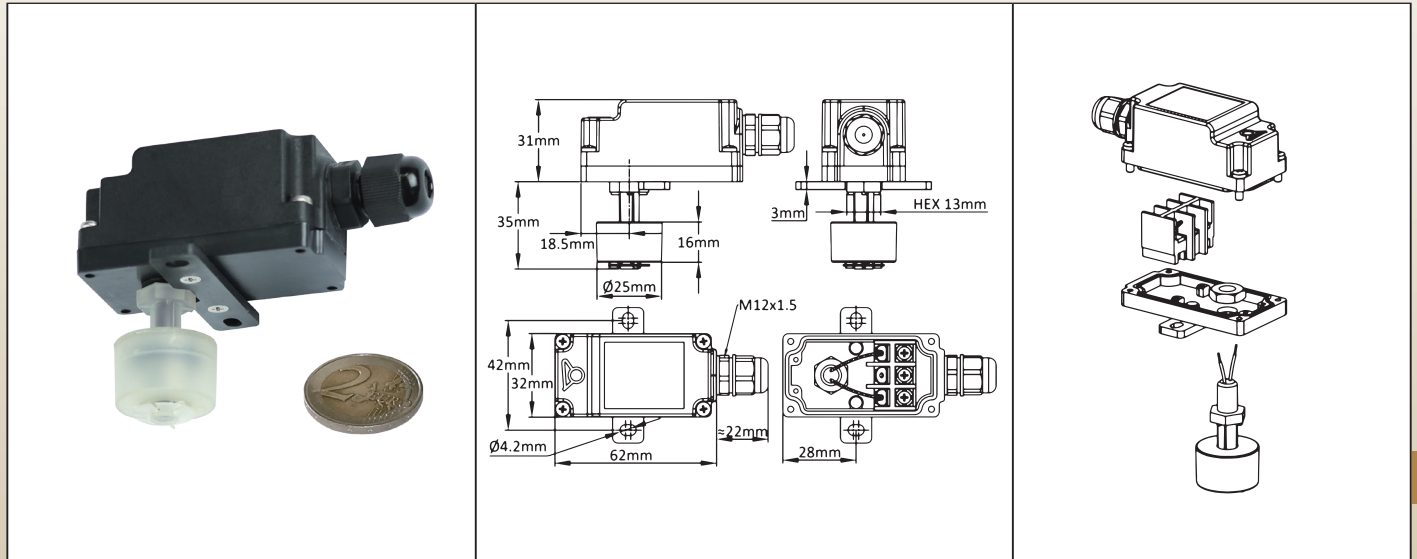


# Miniature vertical level switch with waterproof connection box

Control	Rating	Reversible contact		Models
	10 VA 40 VA			<b>DMF1F082825FA100</b> <b>DMF4F082825FA100</b>



**Main applications:** Water level control in vending machines, pumps, dehumidifiers, aquariums, swimming pool skimmers, electrochemical surface treatment tanks.

**Stem material:** Polypropylene.

**Float material:** Hollow polypropylene.

**Mounting:** Vertical, fixing with the 2 hole bracket of the connection box.

**Contact configuration:** Normally closed when float is down on the stem. It opens when float goes up to connection box side. Upsetting the float changes the contact configuration into normally open.

**Rating:**

**Low voltage type:** Maximum power 10 W (VA), max 0.5Amp, max voltage 110VAC.

**230VAC type:** Maximum power 40 W (VA), max 1Amp. Values for resistive circuit. For inductive or capacitive loads, a contact protection circuit must be used.

**Contact resistance:** 150milli-Ohms maxi.

**Connection box:** Black PA66 box, 61x33x30mm, IP69K, with 2.5mm<sup>2</sup> 3 way screw terminals, wire outputs by M12 cable gland.

**Mounting:** By bracket with 2 holes dia. 4.2 mm, 42 mm distance.

**Liquid limits:** To be used with liquids chemically compatible with polypropylene, dynamic viscosity higher 0.5x10<sup>-4</sup>Pa.s and lower than 10<sup>-2</sup> Pa.s, specific gravity higher than 0.9, without magnetic particles.

**Ambient temperature:** -20 + 80°C

**Options:** Connector instead of cable gland, slosh shield for use in turbulent water applications; electrical rating 70W, 1A, 250VAC; level switch body in black polypropylene.

## References

Electrical rating	References
10 VA	DMF1F082825FA100
40 VA	DMF4F082825FA100

Excerpt from catalogue 7-2



Page (.pdf)



Drawing 2D (.dwg)



Drawing 3D (.stp)

